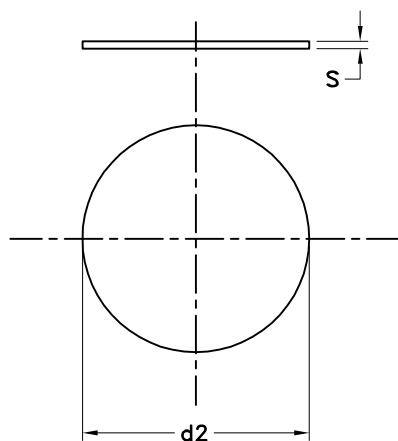
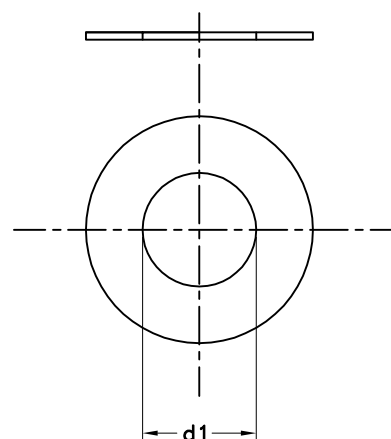


Washers without hole



Washers with hole



For a washer : d1=6.5 mm - d2=16.5 mm and S=0.5 mm from galvanized zn 8 bk c C (A3G)

The designation is :

Washer 6.5x16.5x0.5 PRN J 003 - St.A3G


Permissible tolerances

Material	Parameter	Related size	Tolerances
* metallic material, hard paper, compressed wood, psp, high pressure (rubberised asbestos) sheet, cardboard	d1	to 180	DIN522(m)
		from 180	H 15
	d2	to 250	DIN522(m)
		from 250	H 16
	s	to 18	DIN522(m)
		from 18	±2
Forming tolerance		DIN522(m)	
Soft rubber	according to DIN 53505 (m)		
Felt	±5%		

This standard is valid for washers which haven't any other norms like DIN 125 , DIN 126 , DIN 433 , DIN 440 , DIN 1441

*) 0.5 mm additional tolerance is permissible

Dimensions in mm

				General Tolerances		Surface finish: ISO 1302					
				1395	Date	Name		Title:			
				Applied	----	----		Washers(without chamfer)			
				Check	----	----				Scale:	
				Approved	----	----				---	
				 ایران ترانسفو ری IRAN TRANSFO REY				Drawing Identification:		Sheet No.:	
								PRN		J	
Index	Mod.No.	Date	Name	Approved					Substituted of: ITN 200.029		
								Page No.:			
								1			