


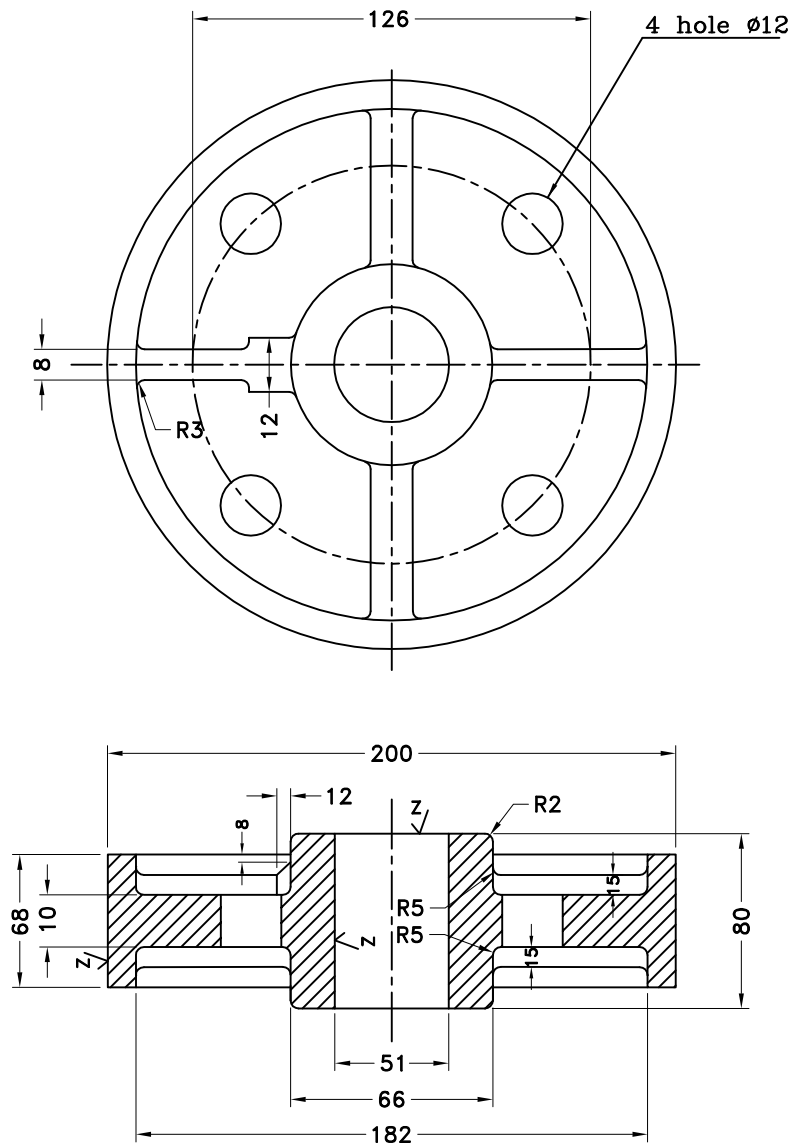
Load carrying capacity : 6000kg

Total weight : 15.26 kg

Assemble to under carriage accordance to drawing No: PRN A 041-Page 1

|     |                              |                   |      |               |       |
|-----|------------------------------|-------------------|------|---------------|-------|
| 1   | Axle                         | Ust.37-K          | 4    | ø50x118       | 1.81  |
|     | DIN 668                      | DIN 1652          |      |               |       |
| 1   | Roller                       | GG-20             | 3    | ø200          | 10.9  |
|     | DIN 1691(DIN EN 1561)        | PRN A 020(Page 2) |      |               |       |
| 1   | Bolt                         | A4H گالوانیزه زرد | 2    | M16x35        | 0.1   |
|     | DIN 933-8.8(DIN EN ISO 4017) |                   |      |               |       |
| 1   | Roller housing               | Ust.37-2          | 1    | F1.10x100x312 | 2.45  |
|     | DIN 1017                     |                   |      |               |       |
| Qt. | Item Name                    | Material          | Item | Dimension     | Mass. |
|     | Identity No.                 | Standard          | No.  | Description   | Kg    |

|  |         |                 |      |  |                                 |
|--|---------|-----------------|------|--|---------------------------------|
| General Tolerances   |         | Surface finish: |      | 1000....2000 KVA                         |                                 |
| ISO 2768-m   |         | ISO 1302        |      |  |                                 |
| 1395   | Date    | Name            |      | Title:                                   | Scale:                          |
| Applied  | ----    | ----            |      | Wheel and Accessories (ø200)             | ---                             |
| Check  | ----    | ----            |      |  |                                 |
| Approved   | ----    | ----            |      |  |                                 |
|  ایران ترانسفو ری<br>IRAN TRANSFO REY |         |                 |      | Drawing Identification:<br>PRN : A 0 2 0 |                                 |
| Index  | Mod.No. | Date            | Name | Approved                                 | Substituted of:<br>G.Z-013(2/2) |
|  |         |                 |      | Sheet No.:                               | 2                               |
|  |         |                 |      | Page No.:                                | 1                               |




$$\sqrt{\text{cleaned}} \left( Z/\sqrt{Rz} = \sqrt{Rz/100} \right)$$

Material: GG-20 DIN 1691 (DIN EN 1561)

Surface finish : Series 2 of DIN 3141

Total weight : 10.9 kg

| Qt.   | Item Name | Material   | Item | Dimension                   | Mass.                   |            |
|-------|-----------|--|------|-----------------------------|-------------------------|------------|
|       |           | Standard   | No.  | Description                 | Kg                      |            |
|       |           | Identity No.   |      |                             |                         |            |
|       |           | General Tolerances<br>ISO 2768-C   |      | Surface finish:<br>ISO 1302 | 1000....2000 KVA        |            |
|       |           | 1395   | Date | Name                        | Title:                  |            |
|       |           | Applied  | ---- | ----                        | Roller ø200             |            |
|       |           | Check  | ---- | ----                        | Scale:                  |            |
|       |           | Approved   | ---- | ----                        | ---                     |            |
|       |           |  <b>ایران ترانسفو ری</b><br><b>IRAN TRANSFO REY</b> |      |                             | Drawing Identification: | Sheet No.: |
| Index | Mod.No.   |  |      |                             | Date                    | Name       |
|       |           |  |      |                             | Substitued of:          | Page No.:  |
|       |           |  |      |                             | ITN 200.064             | 2          |