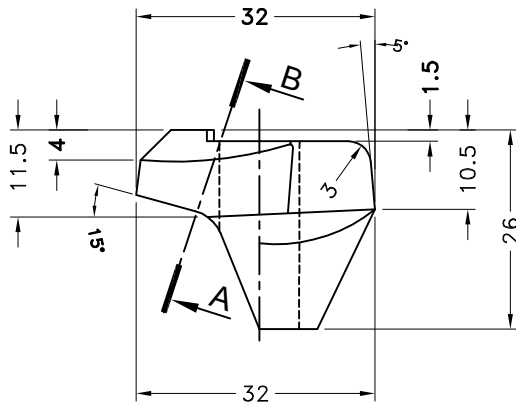
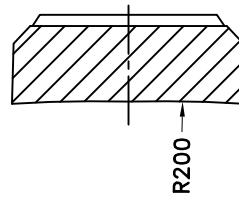
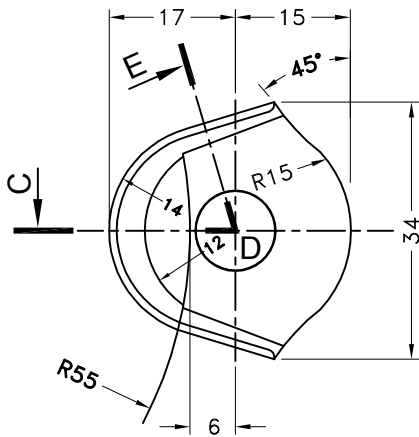
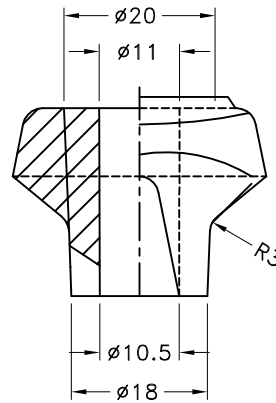


Section : A-B



Section : C-E

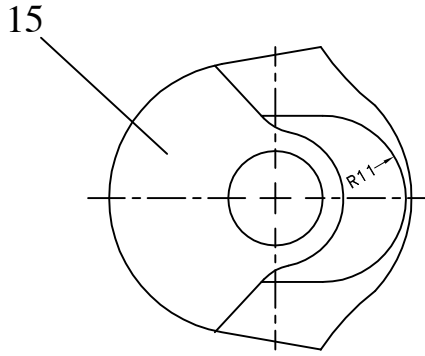


Zinc alloy G-Zn Al 6 cu 1 according to DIN 1743(DIN EN 1774) / DIN 42538

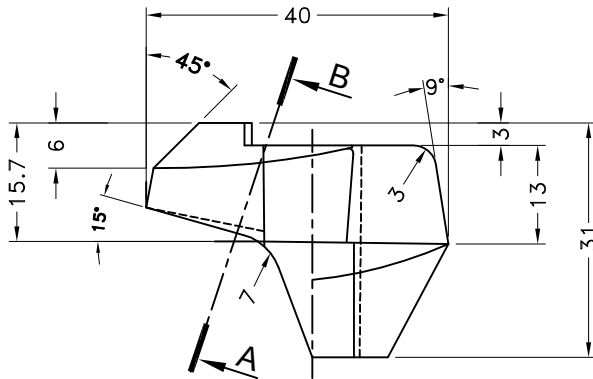
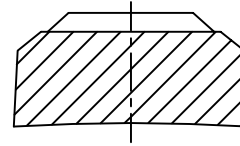
Weight : 0.058 kg

Qt.	Item Name	Material	Item	Dimension	Mass.
		Standard	No.	Description	Kg
		General Tolerances ISO 2768-C	Surface finish: ISO 1302		
		1395	Date	Name	Title:
		Applied	----	----	Clamping piece (E)
		Check	----	----	
		Approved	----	----	
		Drawing Identification:			Sheet No.:
		PRN : H 0 0 4			2
		Substituted of:			Page No.:
		ITN 200.059			2

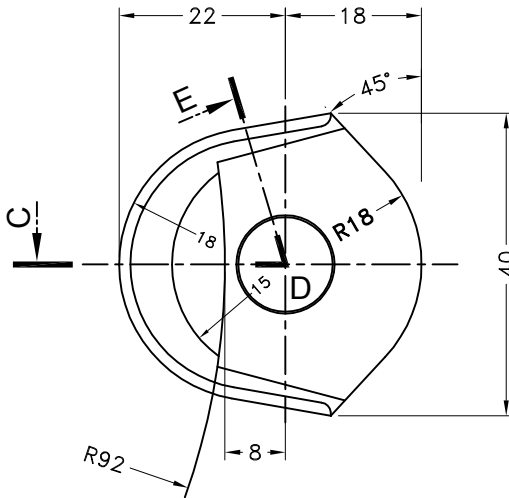
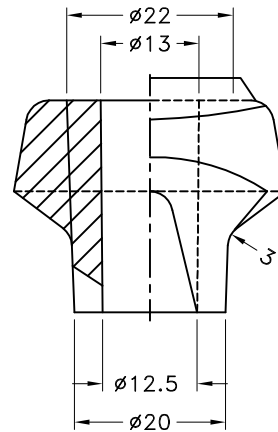




Section : A-B



Section : C-E



Zinc alloy G-Zn Al 6 cu 1 according to DIN 1743 (DIN EN 1774)/ DIN 42538

Weight : 0.070 kg

Qt.	Item Name	Material	Item	Dimension	Mass.
		Standard	No.	Description	Kg
		General Tolerances ISO 2768-C	Surface finish: ISO 1302		
		1395	Date	Name	Title:
		Applied	---	---	Clamping piece (F)
		Check	---	---	
		Approved	---	---	
		Drawing Identification:			Scale:
		PRN : H 0 0 4			---
		Substituted of:			Sheet No.:
		ITN 200.059			2
					Page No.:
					1

